

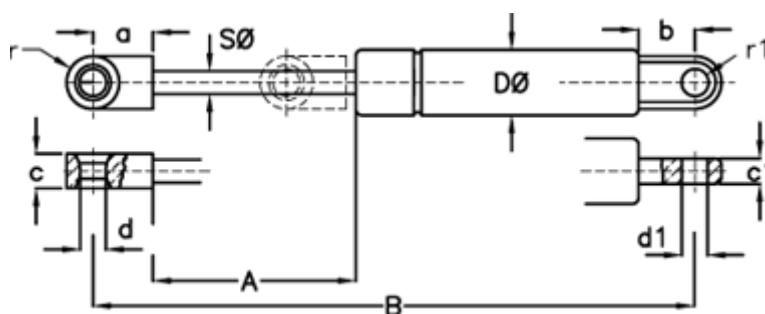
Data Sheet



Article number: 04085480

Description: Stabilus Lift-O-Mat Gas Spring 085480 2100N
03 14 150 2100 Eyelet/Eyelet

Measures



A	= 150	D ⁻	= 28
a	= 24	Fixing	= Øje/Øje
B	= 402 +/-2	Material	= Metal
b	= 15	Note	= -
c	= 18	Note	= -
c1	= 8	r	= 9
d1 ⁻	= 10,1 +0,1 -0,2	r1	= 8
d ⁻	= 10,1 +0,1	S ⁻	= 14